

▶ 75 ohm BNC Crimp Plugs (Straight Type) (BCP-B Series)



Product Image

Product Name

**75 ohm BNC Crimp Plugs (Straight Type)**

Model Number

**BCP-B Series**

- SMPTE 424M & 292M Compliant.
- Serial Digital Video.
- HDTV Upgrades.
- NTSC Analog.
- Test Equipment.
- Satellite Headends.
- TELCOM.
- True 75 ohm construction Crimp Pin & Sleeve.
- High performance of 1.1 or less VSWR up to 3GHz.
- Elongated Body for better finger grip.
- Position mark on body allows the connector fit to be checked easily.
- Superior cable pull strength.
- Gold plated center pins 'snap' into place.
- Connector Body has been die-cast, achieving a lower price with higher performance.
- Easy Assembly using Canare Strip & Crimp Tools.

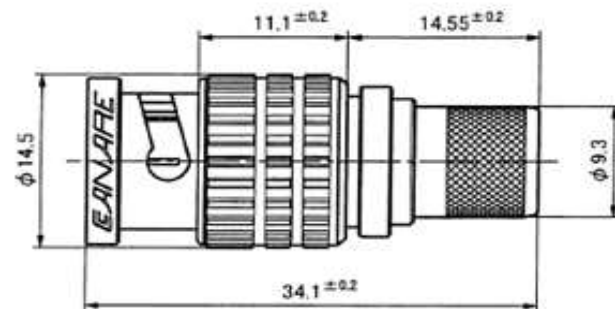
75 ohm BNC Connector, Straight Plug

### Product Listings

Model	Cable	Boot	Crimp Die	Crimp Pin	Sleeve
<b>BCP-B25HD</b>	L-2.5CHD	CB02	TCD-35CA	B11015E	BN7129
<b>BCP-B26</b>	1855A	CB02	TCD-35CA	B11014E	BN7029C
<b>BCP-B25HW</b>	L-2.5CHWS	CB02	TCD-35CA	B11015E	BN7143
<b>BCP-B3F</b>	L-3CFB	CB03	TCD-35CA	B11015E	BN7003A
<b>BCP-B31F</b>	L-3CFW	CB04	TCD-4C TCD-451CA	B11015E	BN7015A
<b>BCP-B4F</b>	L-4CHD L-4CFB 1505A	CB04	TCD-4C TCD-451CA	B11016E	BN7015A
<b>BCP-B45HW</b>	L-4.5CHWS 1694F	CB05A	TCD-35CA	B11020D	BN7016
<b>BCP-B53</b>	L-4.5CHD 1694A	CB05A	TCD-35CA	B11020D	BN7046
<b>BCP-B5F</b>	L-5CFB	CB05A	TCD-5CF	B11020D	B75004A
<b>BCP-B51F</b>	L-5CFW	CB05A	TCD-5CF	B11020D	B75004A

### Specifications

Items	BCP-B Series
Return Loss (0-3GHz)	26dB or greater
Pull Strength	BCP-B53: 245N for L-4.5CHD, 1694A
Coupling Sleeve	Zinc Alloy Die Casting
Center Pin	Gold Plating
Weight	BCP-B53: approx. 12.5g



BCP-CHD Dimensions

Note: All of Canare crimp plugs, BCP-A,-B,-C, RCAP-C and FP-C, are the same procedure.

