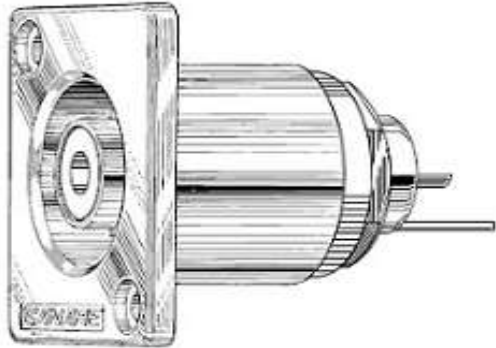


▶ **Flush-Mount Receptacles (RJ-RU, RJ-BCJRU, RJ-RUD, RJ-RUDB, RJ-BCJRUD, RJ-BCJRUDB)**



Product Name

Flush-Mount Receptacles

Model Number

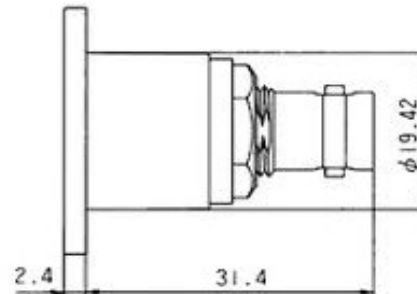
RJ-RU, RJ-BCJRU, RJ-RUD, RJ-RUDB, RJ-BCJRUD, RJ-BCJRUDB

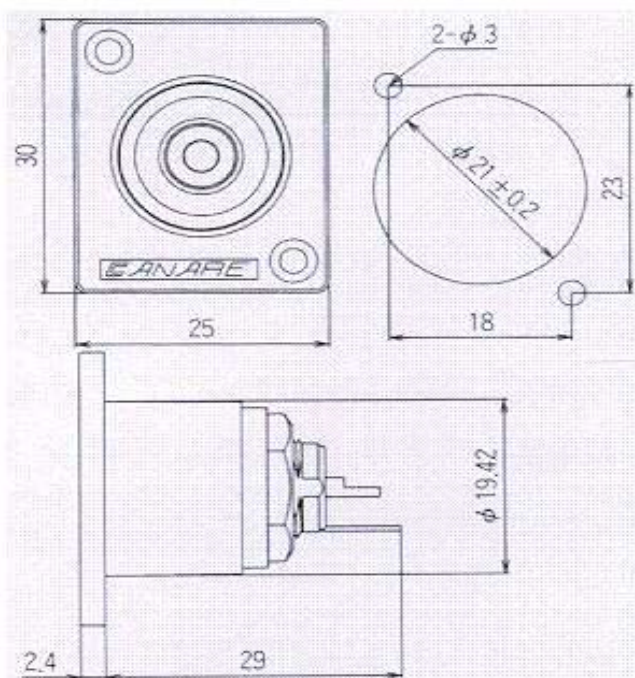
Product Image

- Two types of flange are available. ITT XLR-F77 and Neutrik D compatible.
- VSWR is 1.1 or less up to 50MHz.
- Color-coded insulation enables users to easily distinguish between the R, G and B elements. Users can choose as required from five colors, including red, green, yellow and white.



RJ-BCJRU





RJ-RU

Model	Description
RJ-RU	Jack to Solder Cup
RJ-BCJRU	RCA (F) - BNC (F)
RJ-RUD	Jack to Solder Cup, Neutrik D Type
RJ-RUDB	Jack to Solder Cup, Neutrik D Type (Black)
RJ-BCJRUD	RCA (F) - BNC (F), Neutrik D Type
RJ-BCJRUDB	RCA (F) - BNC (F), Neutrik D Type (Black)